

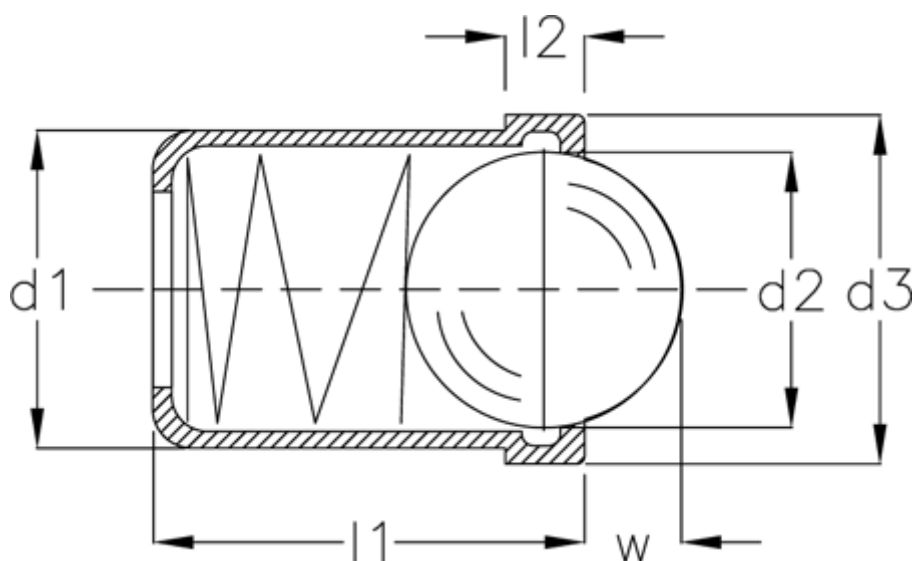
Data Sheet



Article number: 20883002A

Description: E+G
Spring plunger GN 614-6-KD

Measures



d1	= 6
d2	= 5.0
d3	= 6.5
l1	= 7.0
l2	= 1.0
Spring pressure N bottom	= 13.0
Spring pressure N top	= 6.5
W	= 1.6